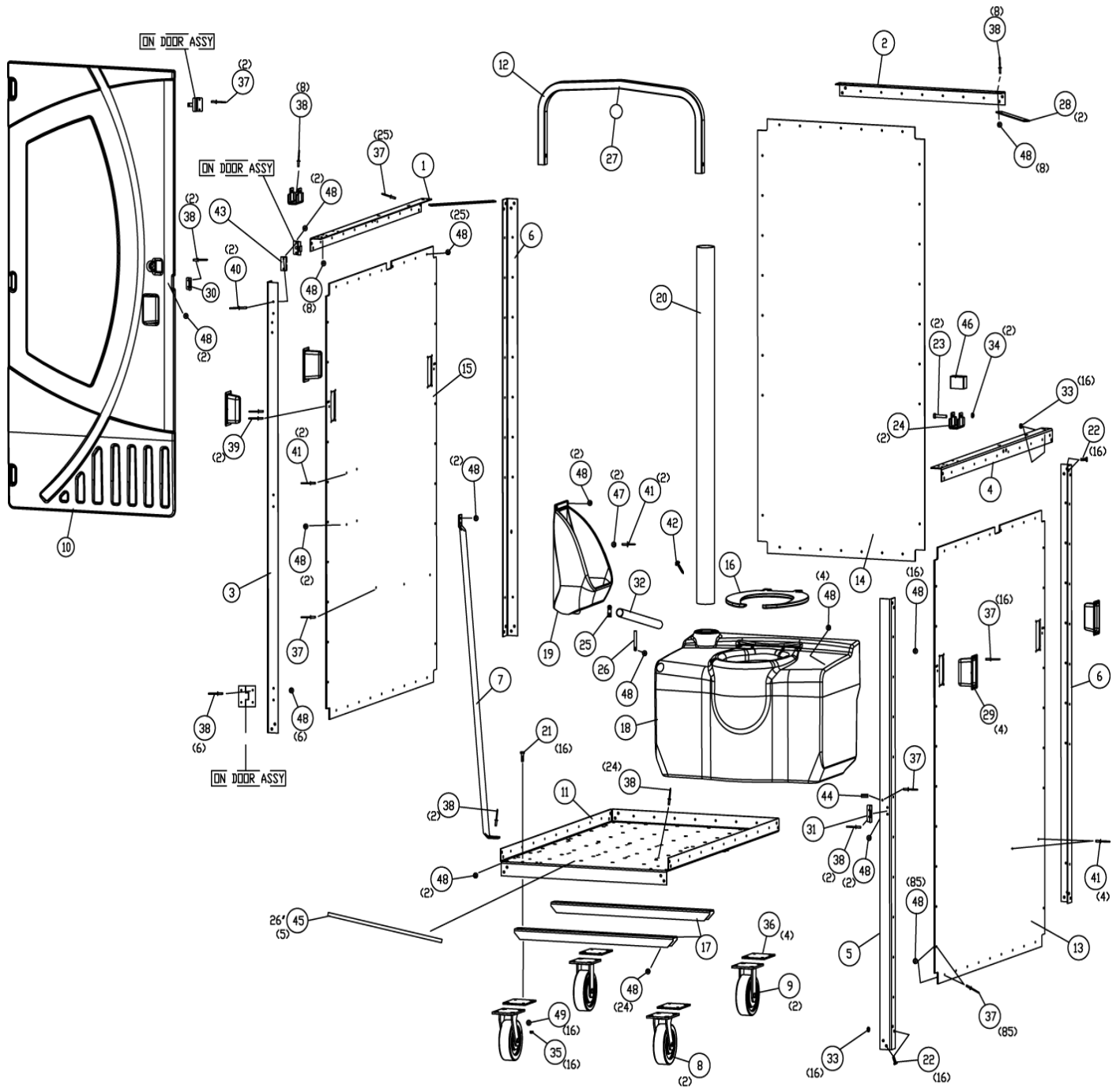


HIGHRISE™ MAJOR ASSEMBLY



Visa / Mastercard / American Express / Discover
 \$25.00 Minimum Order — Prices and quantities subject to change / all prices are FOB FACTORY — Priced in U.S. Dollars
 20% minimum restocking charge applies on returns

HIGHRISE™ MAJOR ASSEMBLY

REV C ITEM #	PART#	QTY Per Unit	DESCRIPTION	PRICE EACH
			STANDARD HIGH RISE PARTS	
1	20798	1	ANGLE- 51-1/2 HOR HIGH RISE LH	
2	20799	1	ANGLE- 30 HORIZ HIGH RISE	
3	20800	1	ANGLE- 67 VERT HIGH RISE HINGE	
4	20849	1	ANGLE- 51-1/2 HOR HIGH RISE RH	
5	20850	1	ANGLE- 67 VERT HIGH RISE HASP	
6	20851	2	ANGLE- 67 VERT HIGH RISE REAR	
7	20808	1	BRACE- DOOR FRAME HIGH RISE	
8	20812	2	CASTER- 2 X 6 SWIVEL HIGH RISE	
9	20813	2	CASTER- 2 X 6 RIGID HIGH RISE	
10	20803	1	DOOR ASSY- HIGH RISE PBLU	
11	20797	1	FLOOR- HIGH RISE	
12	20806	1	FRAME- PROP HIGH RISE	
13	20801	1	PANEL- HIGH RISE SIDE RT PBLU	
14	20802	1	PANEL- HIGH RISE REAR PBLU	
15	20882	1	PANEL- HIGH RISE SIDE LT PBLU	
16	14959	1	SEAT- ELONG MX2/MX3/TRS/HT/GB BLK (OLD TANKS PRE 05-11)	
17	20852	2	SUPPORT- HIGH RISE FLOOR	
18	20814	1	TANK- 38 GALLON HIGH RISE	
19	11999	1	URINAL- SPLASHGUARD GREY	
20	20816	1	VENT PIPE- 3 X 53-1/2 BLACK	
	20848		HDWE, HIGH RISE	
21	10099	16	BOLT- 5/16-18 X 1 GR5 PLTD	
22*	17385	32	BOLT- 1/4-20 X 3/4 GRD5 PLTD	
23	17915	2	BOLT- 3/8-16 X 2 GRD8 PLTD	
24	20807	2	BRACKET- PROP FRAME HIGH RISE	
25	12588	1	CLAMP- WORMDRIVE #12	
26	20817	1	CLAMP- INSULATED HIGH RISE	
27	20916	1	DECAL- HIGH RISE DO NOT LIFT	
28	20809	2	GUSSET- HIGH RISE CORNER	
29	20810	4	HANDLE- POCKET HIGH RISE	
30	13197	1	HASP- 3/16 RIVET HOLE DOOR	
131	13199	1	HASP- 3/16 RIVET HOLE FACING	
32	20931	1	HOSE- 1in HIGH RISE URINAL	
33*	16307	32	NUT- 1/4-20 NYLOC STNLS	
34	20805	2	NUT- 3/8-16 NYLOC THIN	
35*	13131	16	NUT- 5/16 NYLOC	
36*	20811	4	PLATE- CASTER MOUNT HIGH RISE	
37*	11027	130	RIVET- #66 ALUM	
38*	11270	52	RIVET- #68 STNLS	
39	14351	2	RIVET- #610 CCP	
40*	10812	2	RIVET- #612 ALUM	
41*	11054	5	RIVET- #68 AAL POP	
42*	13860	1	SCREW- #14 X 1-1/2 W/WSH GOLD	
43*	20804	1	SPACER- CABLE ANCHOR BRACKET	
44	20620	1	SPACER- TM II URINAL ALUM	
45	20919	130*	STRIP- 1in ANTISLIP	
46	20815	1	TUBE- HIGH RISE PROP LOCK	
47*	10068	2	WASHER- RUBBER 3/32 THK	
48*	11315	191	WASHER- 3/16 RIVET STNLS	
49*	11364	16	WASHER- 1/4 FLAT	
	16845	1	KIT- PAPERGRD 2 ROLL POP RIVET	
	19114	1	KIT- PAPERGRD 3 ROLL POP RIVET	
	19408	1	KIT- PAPERGRD 4 ROLL VERTICAL	
	12642	1	SPINDLE- PAPERGRD 2 ROLL WOOD	
	18529	1	SPINDLE- PAPERGRD 3 ROLL METAL	
	18696	1	SPINDLE- PAPERGRD 3 ROLL WOOD	
	20930	1	INSTRUCTION- HIGH RISE RESTROM	

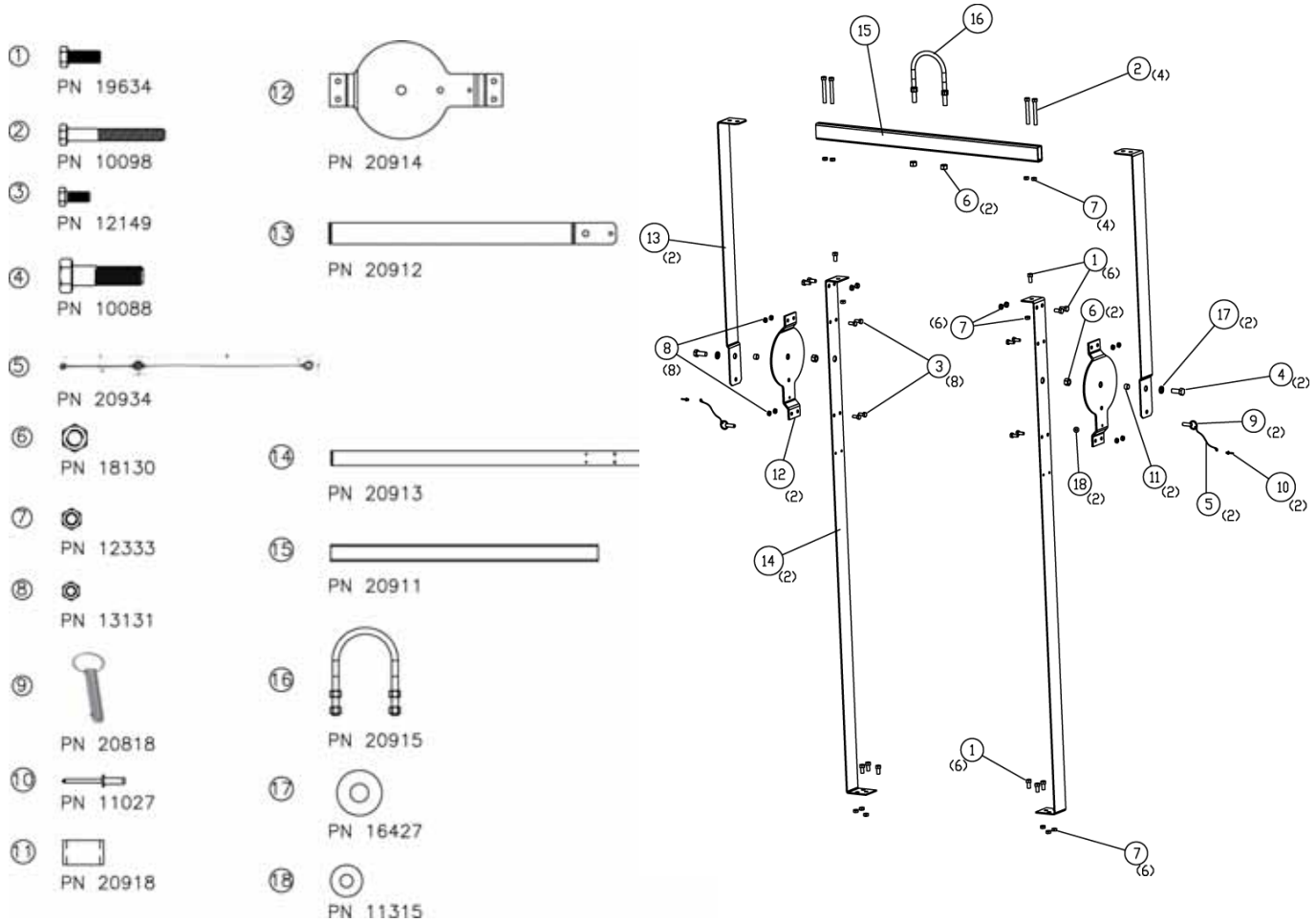
* ONLY SOLD IN MULTIPLES OF 100

Consult Your Area Manager at:

Tel: 1-800-883-1123 (US & Canada) Fax: 1-800-328-3334 (US & Canada)

Web Site: www.satelliteindustries.com

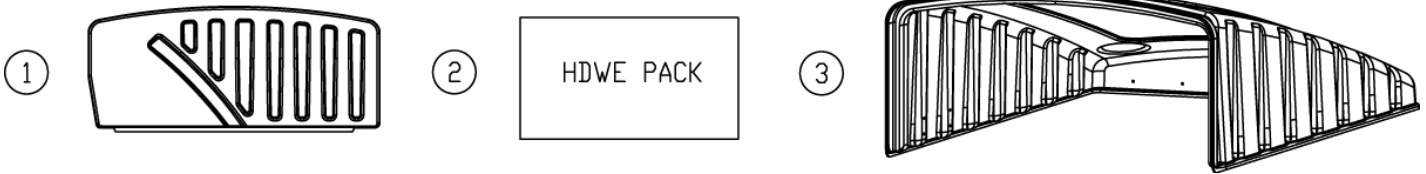
HIGHRISE™ LIFT KIT



REV C ITEM #	PART#	QTY	DESCRIPTION	PRICE EACH
	20856	1	KIT- HIGH RISE LIFT	
1	19635	12	NIPPLE- 3/4 CLOSE BRASS	
2	10098	4	BOLT- 3/8-16 X 3 GR5 PLTD	
3*	12149	8	BOLT- 5/16-18 X 3/4 HXHD GR5	
4*	10088	2	BOLT- 1/2-13 X 1-1/4 GR8 PLTD	
5	20934	2	CABLE- RING PIN NYLON U-LOCK	
6*	18130	4	NUT- 1/2-13 NC NYLOC	
7*	12333	16	NUT- 3/8 NC NYLOC	
8*	13131	8	NUT- 5/16 NYLOC	
9	20818	2	RING PIN- 3/8 X 1in STNLS	
10*	11027	2	RIVET- #66 ALUM	
11	20918	2	SPACER- HIGH RISE .5 ID X 3/8	
12	20914	2	STANDOFF- HIGH RISE LIFT	
13	20912	2	STRAP- HIGH RISE PIVOT	
14	20913	2	STRAP- HIGH RISE LIFT SIDE	
15	20911	1	TUBE- HIGH RISE CROSS LIFT	
16	20915	1	U-BOLT- HIGH RISE LIFT	
17	16427	2	WASHER- 1/2 FLAT	
18	11315	2	WASHER- 3/16 RIVET STNLS	

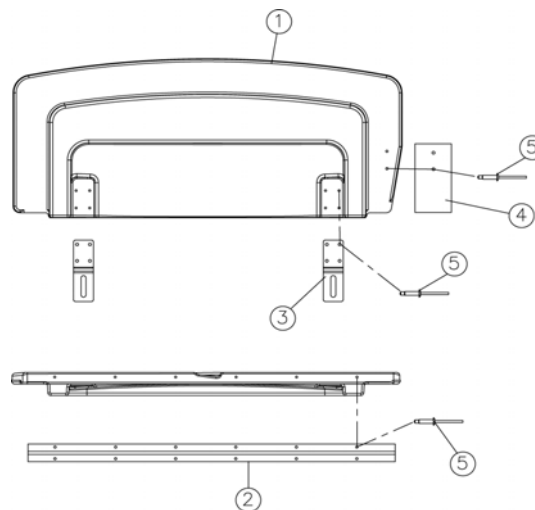
Visa / Mastercard / American Express / Discover
 \$25.00 Minimum Order — Prices and quantities subject to change / all prices are FOB FACTORY — Priced in U.S. Dollars
 20% minimum restocking charge applies on returns

HIGHRISE ROOF™ KIT /UPPER DOOR



REV A ITEM #	PART#	QTY	DESCRIPTION	PRICE EACH
	20855	1	KIT- HIGH RISE ROOF/UPPER DOOR	
1	20928	1	DOOR ASSY- HIGH RISE UPPR PBLU	
2	20820	1	HDWE- HIGH RISE ROOF/DOOR	
	20826	2	BRACKET- HIGH RISE ROOF	
	20887	1	HINGE- 26in PIANO	
	20825	2	PLATE- HIGH RISE ROOF	
	20827	2	SWIVEL- HIGH RISE STAPLE	
	17436	16	RIVET- AVDEL SILVER	
	11027	28	RIVET- #66 ALUM	
	11315	16	WASHER- 3/16 RIVET STNLS	
3	20819	1	ROOF- HIGH RISE	

HIGHRISE™ UPPER DOOR KIT



REV A ITEM #	PART#	QTY	DESCRIPTION	PRICE EACH
1	20823	1	DOOR- HIGH RISE UPPER PBLU	
2	20821	1	HINGE- 30in PIANO	
3	20824	2	PLATE- HIGH RISE DOOR UPPER	
4	20929	1	PLATE- PEEK SHIELD BLACK	
5*	17436	16	RIVET- AVDEL SILVER	

Consult Your Area Manager at:

Tel: 1-800-883-1123 (US & Canada) Fax: 1-800-328-3334 (US & Canada)

Web Site: www.satelliteindustries.com